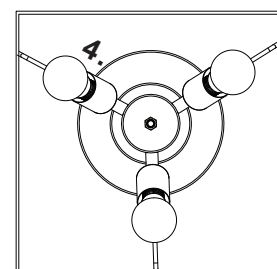
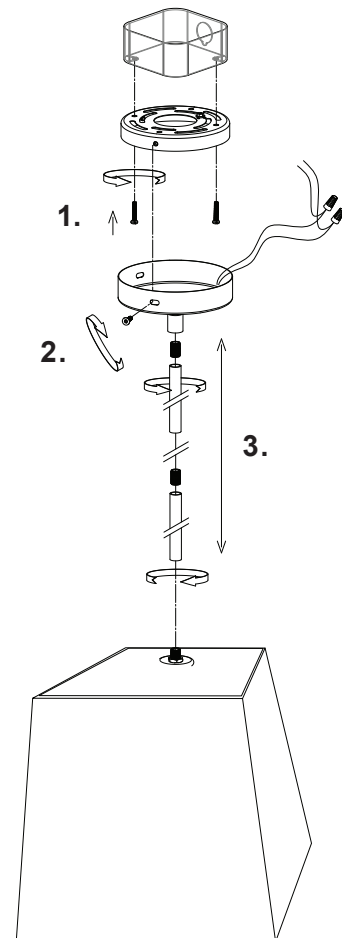


Pendant with clear crystal balls.

- 1.** Remove the fixture from its original packaging. Remove the canopy mounting plate from within the canopy and attach to the junction box using the two screws provided in the hardware pack.
- 2.** Select the desired length you would like the fixture to hang (42" maximum). Use the 3 x 12" rods and 1 x 6" rod to each wire (or less depending on your desired length). Push the wires through the rods attaching them male to female ends of the rods. After the rods are attached push the wires through nipples on the canopy and attach the canopy by screwing the male end of the rods into the female connectors on the canopy (do not over tighten).
- 3.** Once your fixture is completely together you can now attach the fixture to the mounting plate which is attached to the junction box. First attach all wiring with the provided marrets (white to white, black to black & ground to ground). Align the two holes from the canopy to the two screws pointing down from the mounting plate. Push the screws through the canopy plate so they are poking through, once this is complete you can screw on the decorative nuts until tight.
- 4.** Now that your fixture is securely installed you can attached all the crystals strands inside the fixture, 83 strands on the outer rim and 48 strands in the inner rim. Simply hook each strand into the tiny whole circling the top of the frame. After the crystals are all installed you can then install (3)A19 bulbs of correct wattage.
- 5.** You have now completed the installation of you fixture, please enjoy.

START FROM HERE

- Make sure power is completely off at the fuse box.
- Have your fixture installed by a qualified licensed electrician
- Prepare everything in clear area.
- Wear gloves at all times during this installation.
- Read instructions carefully before you start assembly.
- Keep this instruction sheet for future reference.

Technical Support: 1-877-452-6858

KUZCO
LIGHTING

19054 28th Avenue Surrey, BC Canada V3S 6M3
T: 604 538 7162 TF: 1-855 85 KUZCO F: 604 538 7196
W: kuzcolighting.com